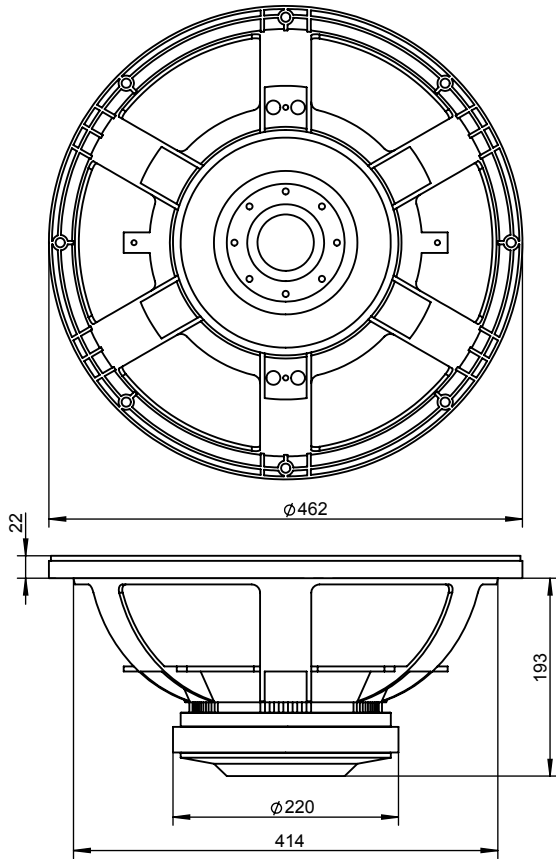




18" Ferrite Pro Audio Subwoofer

ODEUM Apollo 18F



PARAMETERS

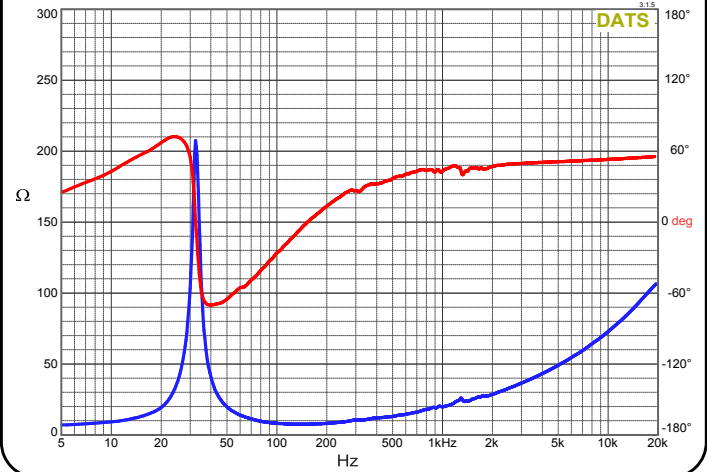
Impedance	8 ohms
Re	6.0 ohms
Le	2.98 mH @ 1kHz
Fs	36 Hz
Qms	15.3
Qes	0.41
Qts	0.41
Mms	211.8 g
Cms	0.095 mm/N
Sd	1200 cm ²
Vd	1272.0 cm ³
BL	26.07 Tm
Vas	192.25 liters
Xmax	10.6 mm***
Magnetic Gap Height	12 mm
VC Diameter	4"
VC Winding Height	24 mm
SPL	96.4 dB @ 2.83V/1m
RMS Power Handling	1200 watts
Usable Frequency Range	35Hz-1kHz

***Klippel verified

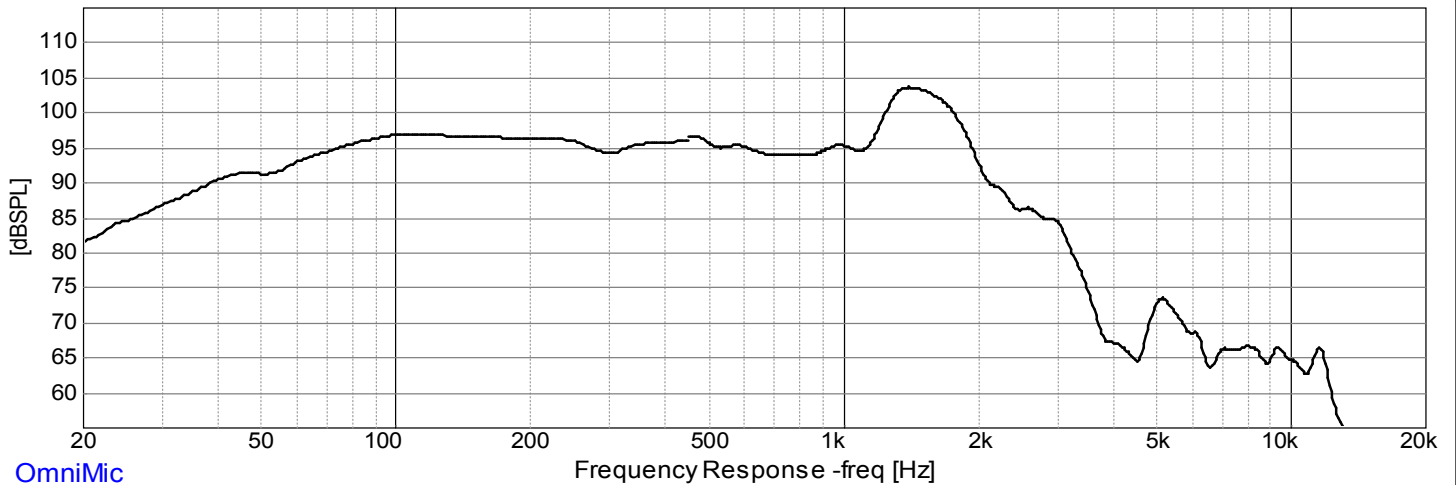
FEATURES

- Best 4" voice coil ferrite subwoofer value on the planet
- Powerful ferrite motor for superior output
- Well balanced SPL to Xmax ratio equates to a loud and long-throw sub
- Aluminum demodulation ring for low distortion and low power compression
- Robust 18" ribbed paper cone for strength and durability
- Under spider and rear periphery venting allow for a cooler running voice coil

IMPEDANCE/PHASE



FREQUENCY RESPONSE



OmniMic

Note: 1/12th octave smoothing - nearfield response included in graph below 450 Hz