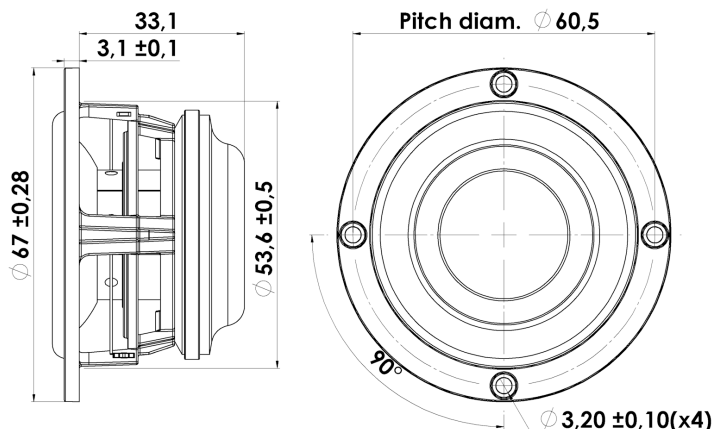


5 cm Fullrange

5F/8422T01



T-S Parameters:

Resonance frequency [fs]	93 Hz
Mechanical Q factor [Qms]	5.17
Electrical Q factor [Qes]	0.69
Total Q factor [Qts]	0.61
Force factor [Bl]	3.07 Tm
Mechanical resistance [Rms]	0.21 kg/s
Moving mass [Mms]	1.86 g
Compliance [Cms]	1.58 mm/N
Effective diaph. diameter [D]	44 mm
Effective piston area [Sd]	15.2 cm ²
Equivalent volume [Vas]	0.50 l
Sensitivity (2,83V/1m)	80 dB

Mechanical Data:

Voice coil diameter	26 mm
Voice coil height	6 mm
Voice coil layers	2
Gap height	2 mm
Linear excursion	± 2 mm
Max mech. excursion	± 5 mm
Unit weight	0.127 kg
Cabinet Displacement Volume	0.02 l

Electrical Data:

Nominal impedance [Zn]	8 Ω
Minimum impedance [Zmin]	6.1 Ω
Maximum impedance [Zo]	43.1 Ω
DC resistance [Re]	6.0 Ω
Voice coil inductance [Le]	0.07 mH

Power Handling:

100h RMS noise test (IEC 18.4)	10 W
Long-term max power (IEC 18.2)	20 W
X-over:	None

Key Features:

- Powerful Neo Ring Motor, Symmetric Drive
- Large Pole Piece Vent, Low Distortion
- 1" Voice Coil, Ti Former, European Soft Parts
- Wide Frequency Range
- Hard Paper Cone, Foam Surround, Long Excursion
- Extended Copper Cap on Pole Piece

Recommendations (please see Tech Note):

- Operating frequency range: 100-10000 Hz
- Cabinet volume - closed box: Vbox=2.3 ltr, f(-3dB)=103 Hz
- Cabinet volume - vented box: Vbox=2.3 ltr, fb=58 Hz, f(-3dB)=48 Hz

