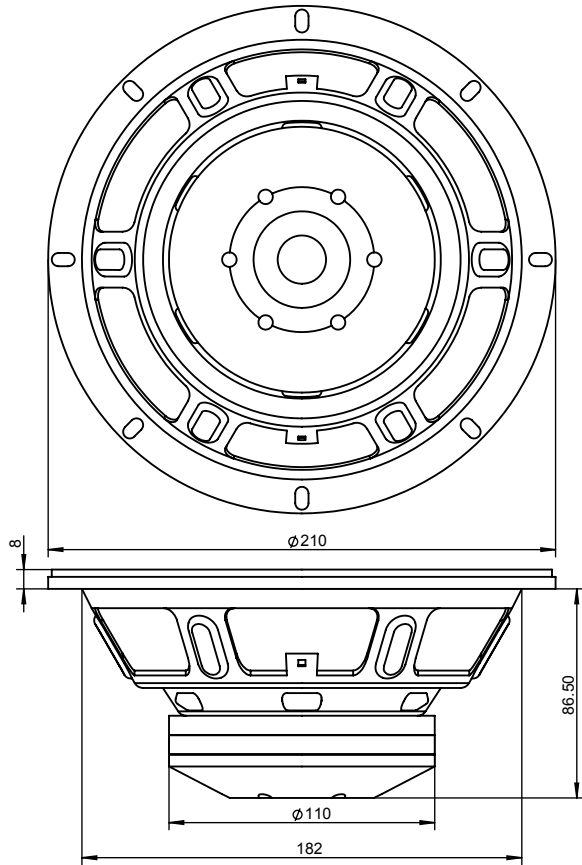




# 8" Neodymium Pro Audio Midbass Woofer

ODEUM Apollo 8N



## PARAMETERS

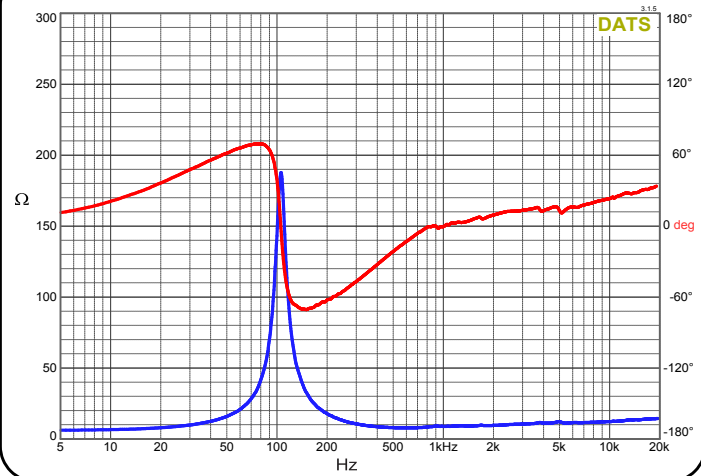
Impedance	8 ohms
Re	6.2 ohms
Le	1.06 mH @ 1kHz
Fs	81 Hz
Qms	5.08
Qes	0.32
Qts	0.30
Mms	21 g
Cms	0.183 mm/N
Sd	200.96 cm <sup>2</sup>
Vd	78.32 cm <sup>3</sup>
BL	14.49 Tm
Vas	10.4 liters
Xmax	3.91 mm ***
Magnetic Gap Height	8 mm
VC Diameter	2"
VC Winding Height	14 mm
SPL	95.5 dB @ 2.83V/1m
RMS Power Handling	200 watts
Usable Frequency Range	75Hz-5.8kHz

\*\*\* Klippel verified

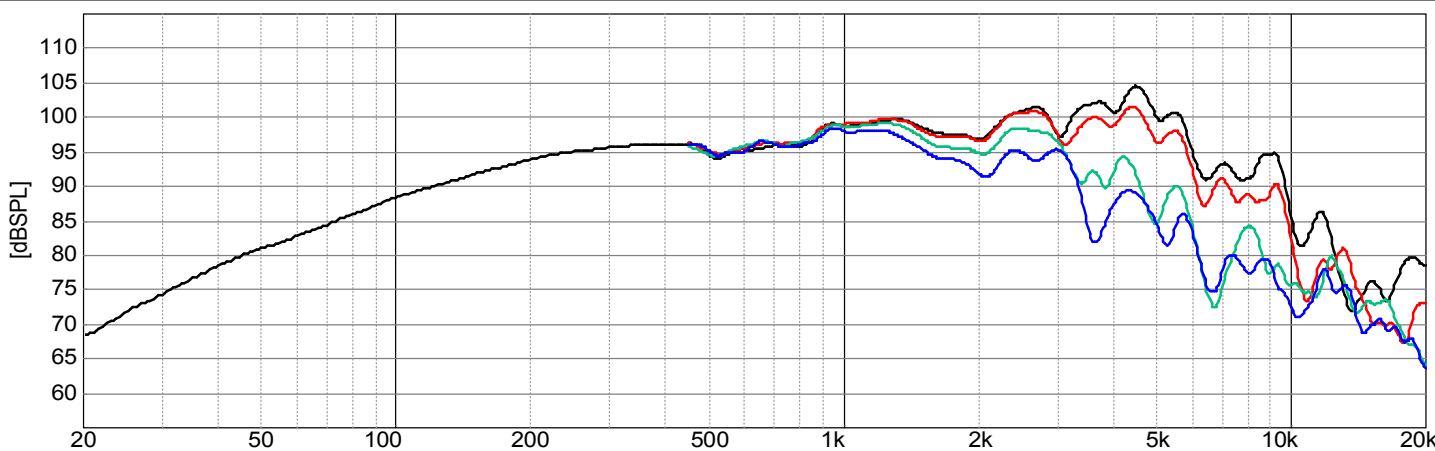
## FEATURES

- Powerful neodymium motor for superior output
- Copper inductance cap for low distortion
- Paper cone and cloth m-roll surround for high clarity, smooth response, and linear excursion for pounds of punch
- 2" Inside/outside wound copper voice coil lends on fiberglass former lends solid power handling capability
- Under spider and rear periphery venting allow for a cooler running voice coil
- Low Qts means high damping and smaller boxes

## IMPEDANCE/PHASE



## FREQUENCY RESPONSE



OmniMic

Frequency Response -freq [Hz]

Note: 1/12th octave smoothing - nearfield response included in graph below 450 Hz

Black = 0°  
Red = 15°  
Green = 30°  
Blue = 45°