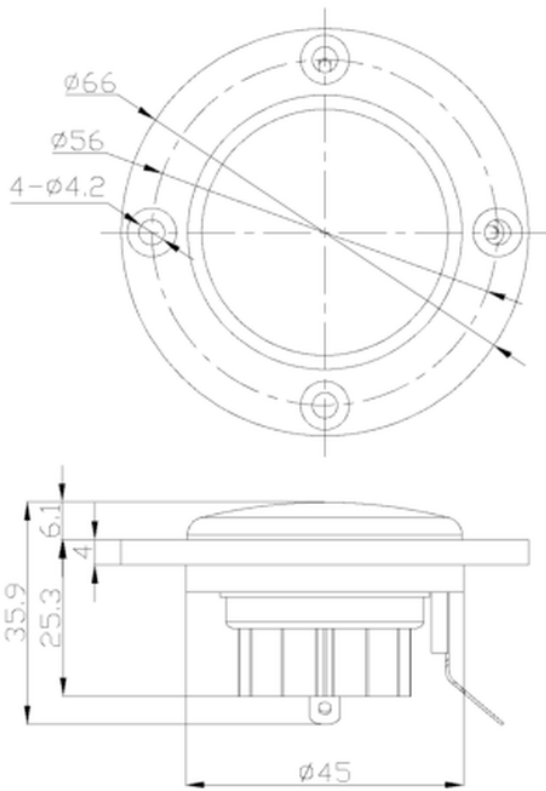




# ND25TA-4 1" Titanium Dome Neodymium Tweeter 4 Ohm

ND25TA-4



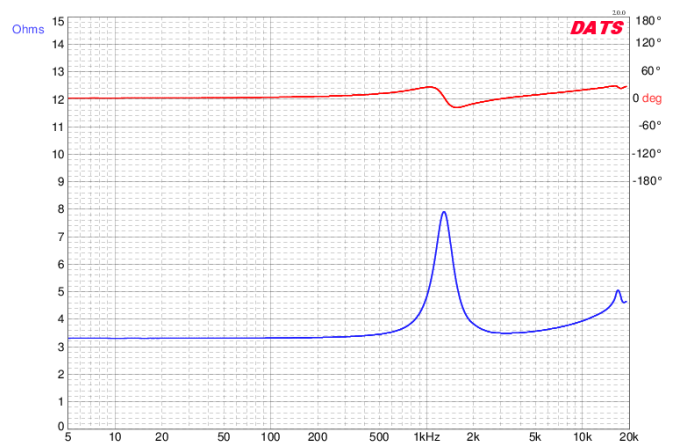
## PARAMETERS

Impedance	4 ohms
Re	3.2 ohms
Le	0.48 mH
Fs	1,470 Hz
Qms	3.24
Qes	2.63
Qts	1.45
Mms	N/A
Cms	N/A
Sd	7.5 cm <sup>2</sup>
Vd	N/A
BL	N/A
Vas	N/A
Xmax	N/A
VC Diameter	25 mm
SPL	91 dB @ 2.83V/1m
RMS Power Handling	20 watts
Usable Frequency Range (Hz)	2,900 - 20,000 Hz

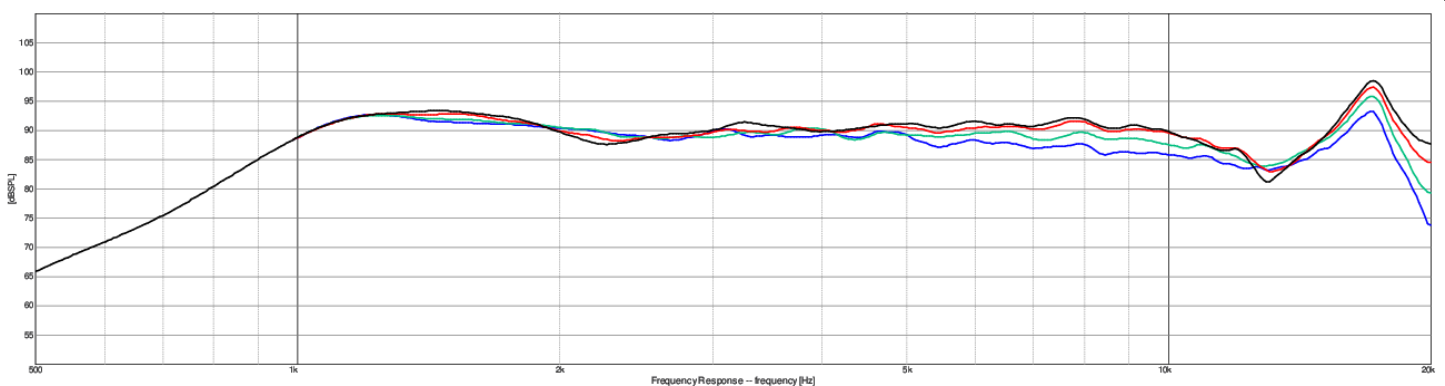
## FEATURES

- 1" titanium dome diaphragm with damped fabric surround
- Compact round faceplate and protective metal grille
- High-strength neodymium motor with heatsink and ferrofluid cooling
- Smooth and detailed treble response to 22kHz and beyond
- Clean, modern styling and appearance

## IMPEDANCE/PHASE



## FREQUENCY RESPONSE



Note: 1/24<sup>th</sup> octave smoothing - nearfield response included in graph below 450 Hz.

Black = 0°  
Red = 15°  
Green = 30°  
Blue = 45°