

TEAX13C02-8/RH Classic Audio Exciter

Features

- Small footprint design
- Impedance: 8 ohm nominal
- Dimensions: 32.2mm x 26.3mm
- Thickness: 9.0mm
- Mass: 10.0g

Applications

- Flat panel loudspeakers
- Toys
- Greetings cards
- Novelty items

Description

The TEAX13C02-8/RH audio exciter is a highly optimised small form factor electro-dynamic transducer. It combines an efficient magnetic circuit topology with a compact design for maximum placement flexibility.

The TEAX13C02-8/RH is ideal for any application where a small footprint transducer is required.

Parameters

Parameter	Description	min	typ	max	Units
R_e	DC resistance	-10%	7.5	+10%	Ohms
L_e	Inductance	-10%	0.07	+10%	mH
BL	Force factor		1.11		Tm
f_s	Resonance frequency	-20%	560	+20%	Hz
dD_{rv}	Voice coil diameter		13		mm
M_{ms}	Moving mass		0.25		g
C_{ms}	Compliance		0.33		mmN ⁻¹
R_{ms}	Suspension Loss		0.04		Nsm ⁻¹
$X_{mech\ max}$	Maximum coil excursion (p-p)		3.0		mm

Operating conditions

Condition	Value
Continuous power handling (weighted pink noise)	1W
Burst power handling (weighted pink noise)	>2W
Operating temperature range	-20 to 55° C (TBC)
Audio frequency range	500Hz to 20kHz

Measured Response - Impedance

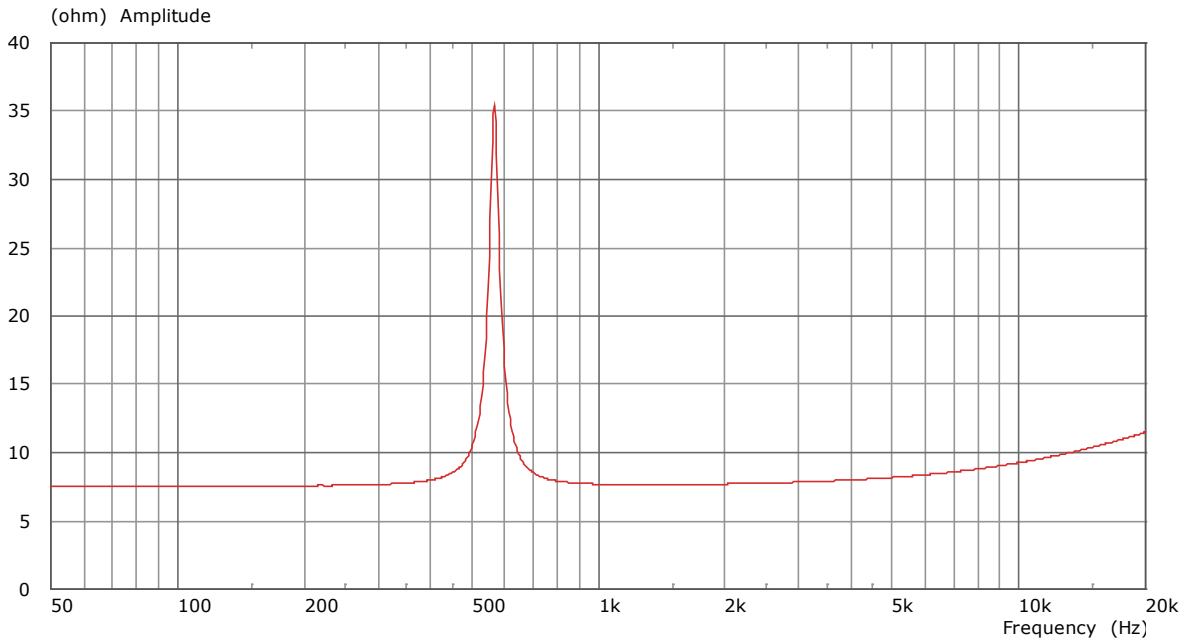


Figure 1. Impedance vs. frequency

Outline Drawing

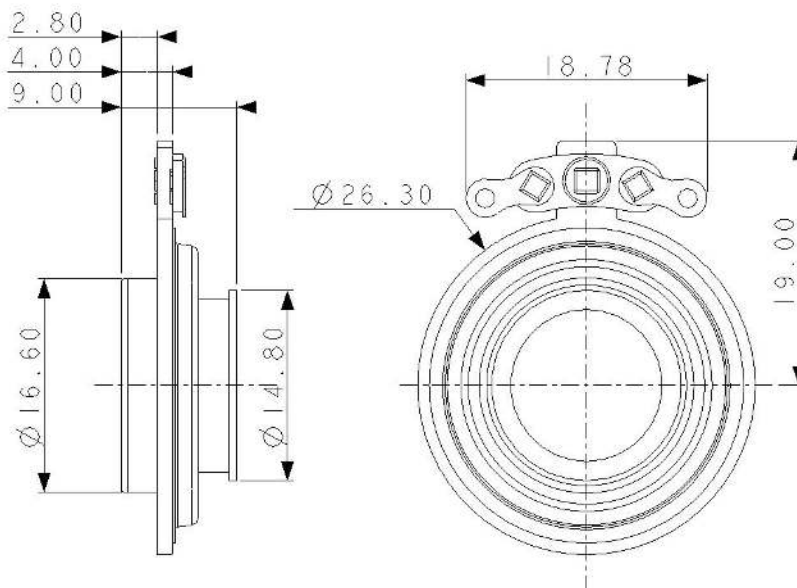


Figure 2. Nominal dimensions