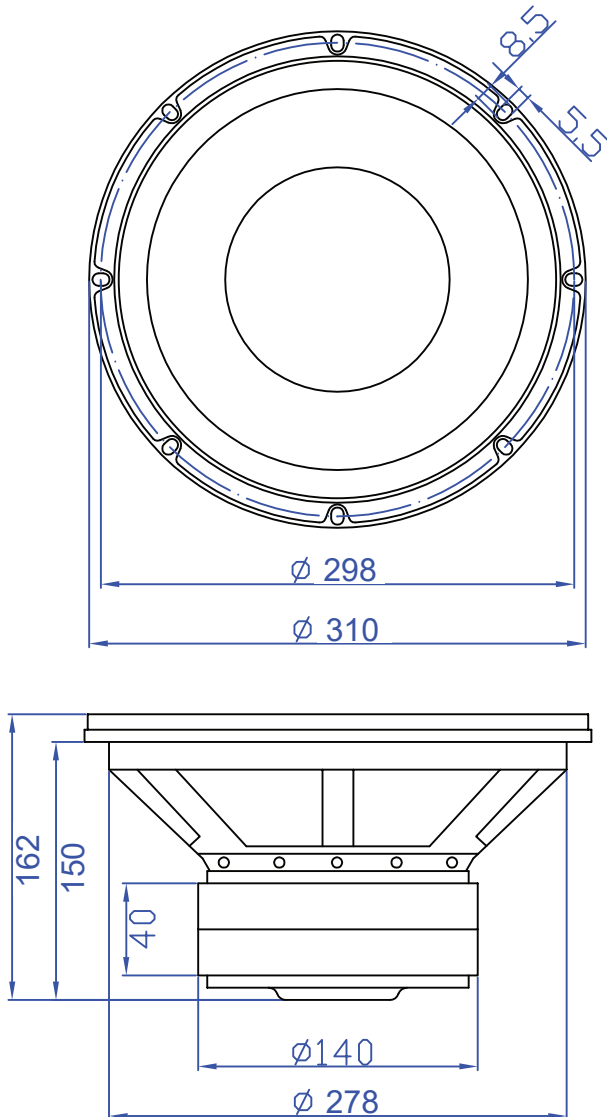




# 12SW-4HE

## 12" High Excursion Subwoofer

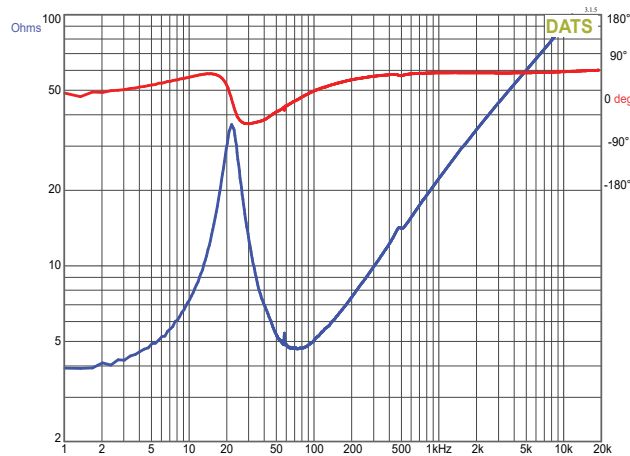
### MECHANICAL DRAWING



### FEATURES

- High excursion and low  $F_{st0}$  produce powerful low frequency output
- 4-layer 2" voice coil on thick aluminum former to handle up to 250 watts RMS
- Venting under the spider, through the pole piece, and in the magnetic gap for excellent heat dissipation
- Durable reinforced paper cone with rubber surround produces reliable and consistent performance
- Extended frame and bumped back plate allow ample clearance for high excursion

### IMPEDANCE/PHASE

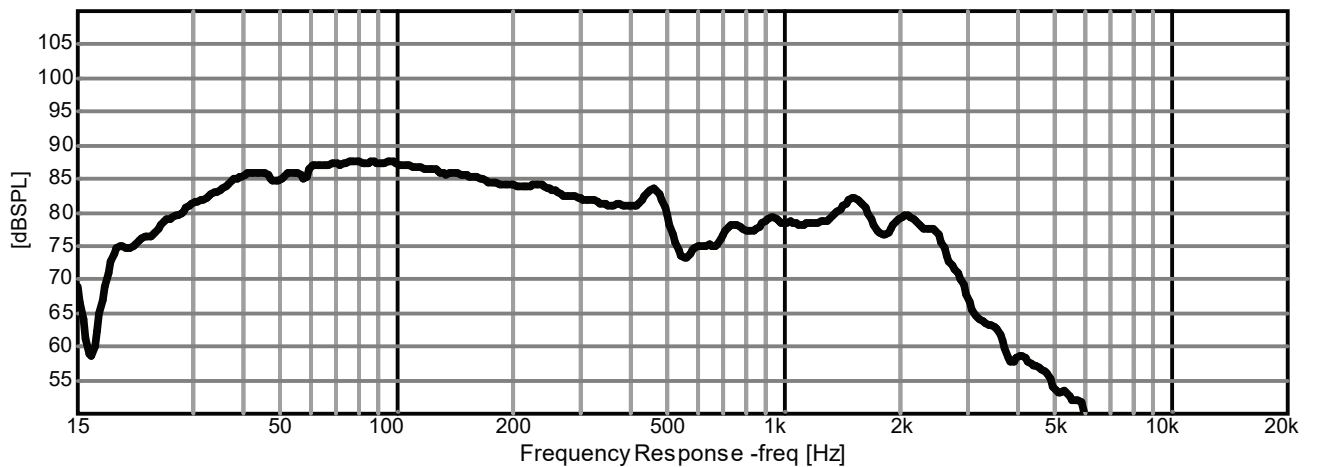


### PARAMETERS

Impedance	4 ohms
$R_e$	3.9 ohms
$L_e$	3.5 mH
$F_s$	22 Hz
$Q_{ms}$	4.08
$Q_{es}$	0.48
$Q_{ts}$	0.43
$M_{ms}$	237 g
$C_{ms}$	0.22 mm/N
$S_d$	504 cm <sup>2</sup>
$V_d$	630 cm <sup>3</sup>
$BL$	16.2 Tm
$V_{as}$	80.4 liters
$X_{max}$	12.5 mm*
VC Diameter SPL	50.8 mm
RMS Power Handling	84.5 @ 2.83V/1m
(AES426B) Usable Frequency	250 watts
Range (Hz)	20 - 500 Hz

$$* X_{max} = \left[ \frac{\text{Voice Coil Length} - \text{Top Plate Height}}{2} \right] + 1/3 \text{ Top Plate Height}$$

### FREQUENCY RESPONSE



OmniMic

Note: 1/24<sup>th</sup> octave smoothing - nearfield response included in graph below 450 Hz.