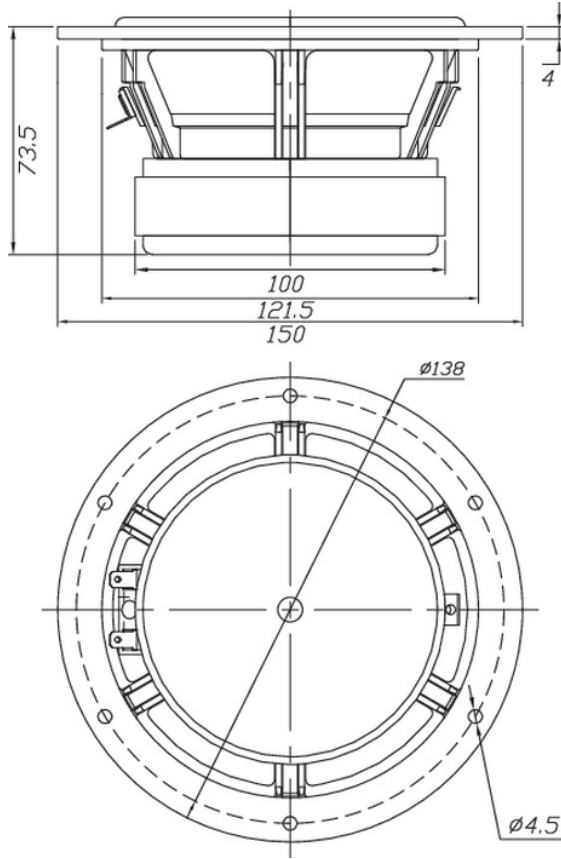




# RS150-8 6" Reference Woofer 8 Ohm

RS150-8



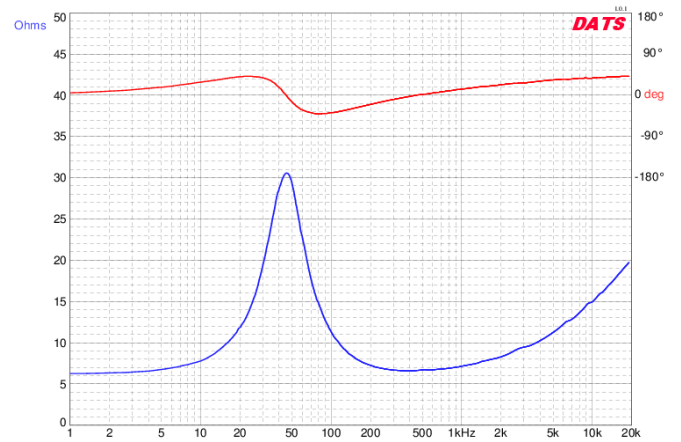
## PARAMETERS

Impedance	8 ohms
Re	6.3 ohms
Le	0.55 mH @ 1 kHz
Fs	47.8 Hz
Qms	1.66
Qes	0.43
Qts	0.34
Mms	7.4g
Cms	1.63 mm/N
Sd	85 cm <sup>2</sup>
Vd	34.0 cm <sup>3</sup>
BL	5.59 Tm
Vas	16.6 liters
Xmax	4.0 mm
VC Diameter	25 mm
SPL	88.7 dB @ 2.83V/1m
RMS Power Handling	40 watts
Usable Frequency Range (Hz)	47 - 4,200 Hz

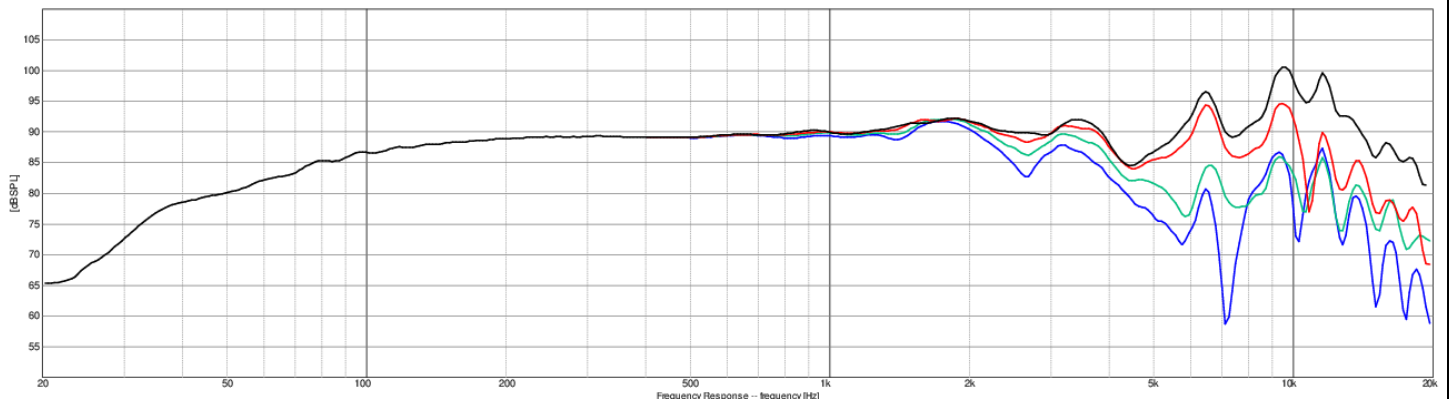
## FEATURES

- One of the lowest distortion, highest resolution driver series available
- Low-distortion high-excursion motor system with two short-circuit paths
- Compliant suspension and rigid black anodized aluminum cone for strong bass performance
- Heavy-duty 6-hole cast frame, low-loss rubber surround, and solid aluminum phase plug

## IMPEDANCE/PHASE



## FREQUENCY RESPONSE



Note: 1/24<sup>th</sup> octave smoothing - nearfield response included in graph below 450 Hz.

Black = 0°  
Red = 15°  
Green = 30°  
Blue = 45°