

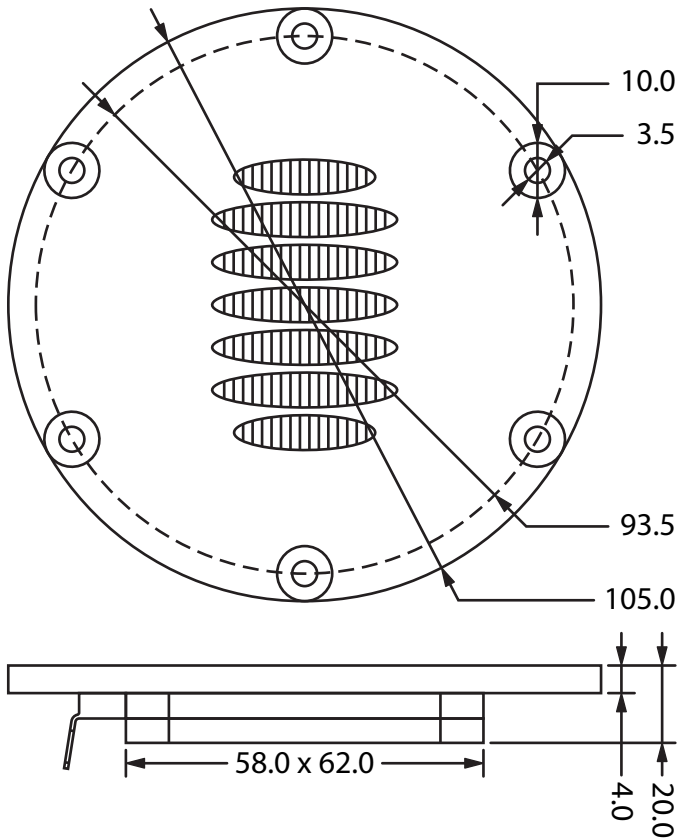


# ES104AMT-4 Air Motion Transformer Tweeter 4 Ohm

ES104AMT-4

## PARAMETERS

Impedance	4 ohms
Re	4.1 ohms
Le	N/A
Fs	N/A
Qms	29.10
Qes	N/A
Qts	N/A
Mms	N/A
Cms	N/A
Sd	12.6 cm <sup>2</sup>
Vd	N/A
BL	N/A
Vas	N/A
Xmax	N/A
VC Diameter	N/A
SPL	90.0 dB @ 2.83V/1m
RMS Power Handling	40 watts
Usable Frequency Range (Hz)	2,500 - 30,000 Hz



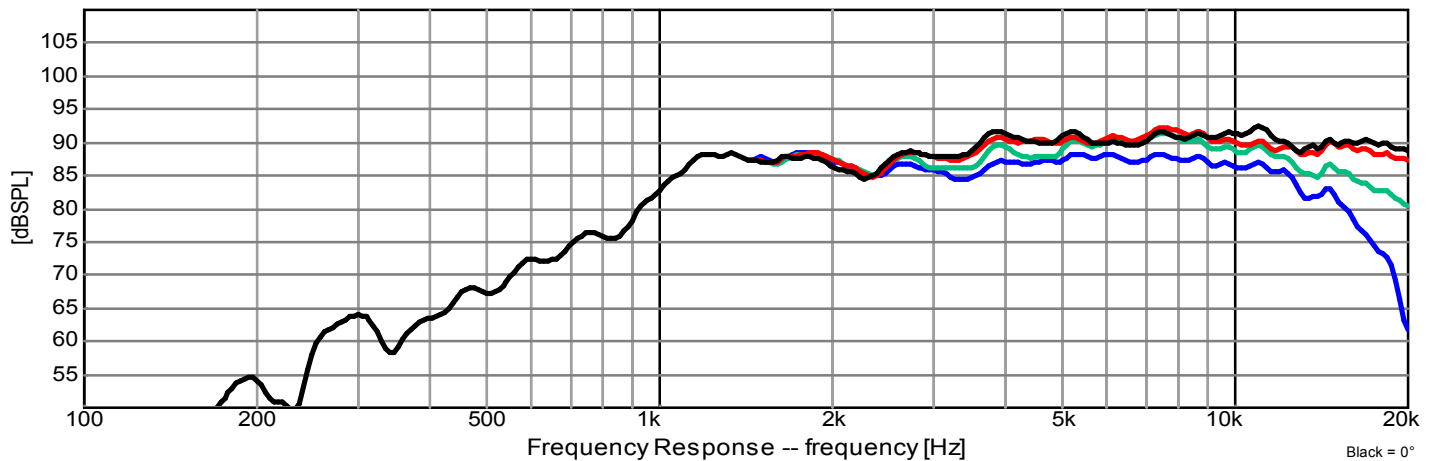
## FEATURES

- Feather-light folded polymer ribbon diaphragm
- Clean, highly detailed, and dynamic output
- Capable of high sound pressure levels without distortion
- Powerful, lightweight Neodymium magnet structure
- Sonically similar to metal ribbon and planar tweeters

## IMPEDANCE/PHASE



## FREQUENCY RESPONSE



OmniMic

Note: 1/12th octave smoothing - nearfield response included in graph below 450 Hz.

Black = 0°  
Red = 15°  
Green = 30°  
Blue = 45°