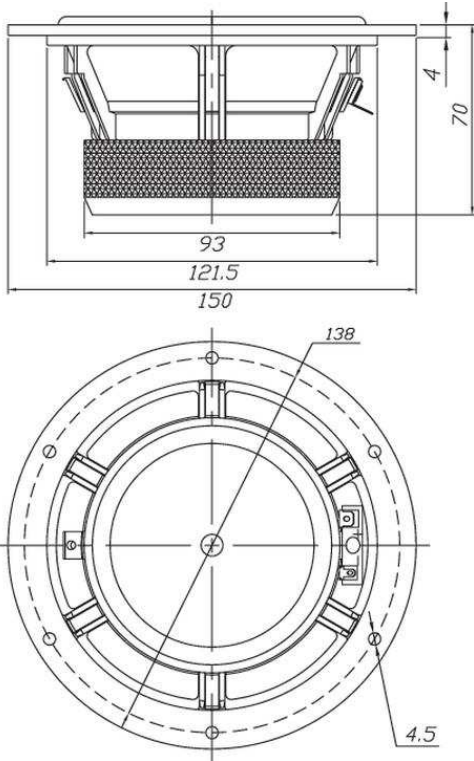




# RS150P-4A 6" Reference Paper Woofer 4 Ohm



PARAMETERS	
Impedance	4 ohms
Re	3.5 ohms
Le	0.39 mH @ 1 kHz
Fs	43.7 Hz
Qms	1.85
Qes	0.42
Qts	0.34
Mms	8.6g
Cms	1.54 mm/N
Sd	85.0 cm <sup>2</sup>
Vd	37.4 cm <sup>3</sup>
BL	4.4 Tm
Vas	15.7 liters
Xmax	4.4 mm
VC Diameter	25 mm
SPL	90.3 dB @ 2.83V/1m
RMS Power Handling	40 watts
Usable Frequency Range (Hz)	45 - 10,000 Hz

- ### FEATURES
- Now with improved frequency response for easier crossover integration
  - Three-part paper composite diaphragm featuring paper, Kevlar, and glass fibers
  - Low-distortion motor, 6-hole cast frame, rubber surround, and solid aluminum phase plug
  - Perfect for use as a woofer, midwoofer, or dedicated midrange driver
  - 90.3 dB sensitivity and 4.4 mm of excursion

