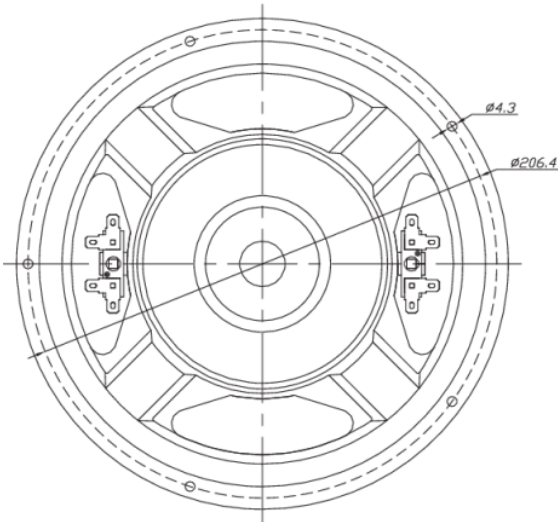
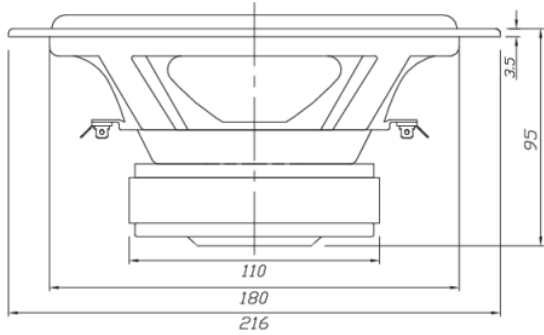




# SD215A-88 8" DVC Subwoofer 4 Ohm

SD215A-88



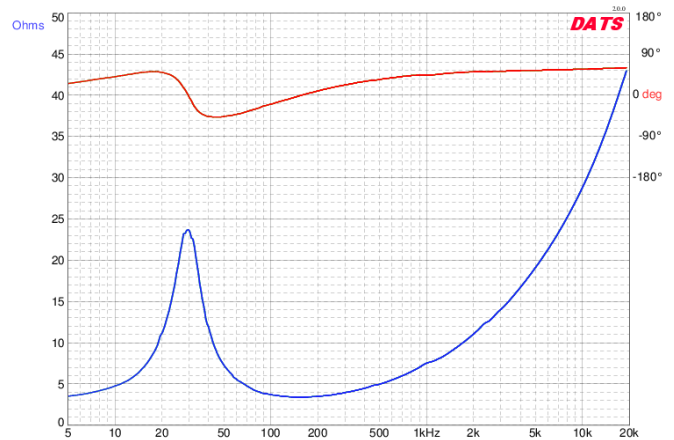
## PARAMETERS

|                             |                       |
|-----------------------------|-----------------------|
| Impedance                   | 8+8 ohms              |
| Re                          | 3.20 ohms             |
| Le                          | 1.16 mH               |
| Fs                          | 31.0 Hz               |
| Qms                         | 3.10                  |
| Qes                         | 0.45                  |
| Qts                         | 0.39                  |
| Mms                         | 42.40 g               |
| Cms                         | 0.62 mm/N             |
| Sd                          | 208.7 cm <sup>2</sup> |
| Vd                          | 125.2 cm <sup>3</sup> |
| BL                          | 7.70 Tm               |
| Vas                         | 38.2 liters           |
| Xmax                        | 6.0 mm                |
| VC Diameter                 | 38.5 mm               |
| SPL                         | 85.9 dB @ 1W/1m       |
| RMS Power Handling          | 80 watts              |
| Usable Frequency Range (Hz) | 31 - 2,500 Hz         |

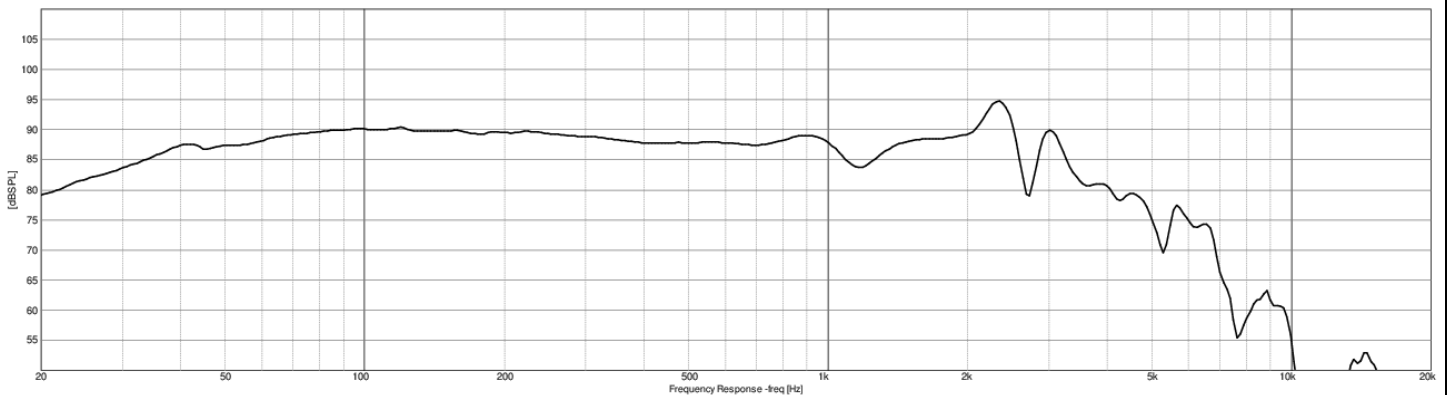
## FEATURES

- Works equally well in sealed or vented enclosures
- Attractive gasket-less design
- Long-life rubber surround for years of reliable service
- Excellent bottom octave performance

## IMPEDANCE/PHASE



## FREQUENCY RESPONSE



Note: 1/24<sup>th</sup> octave smoothing - nearfield response included in graph below 450 Hz.

Black = 0°