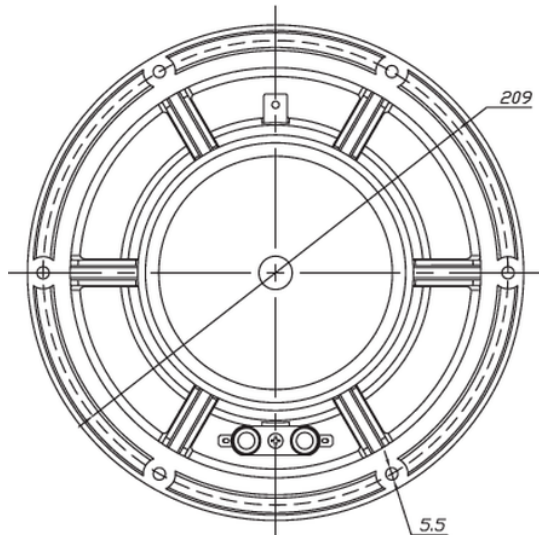
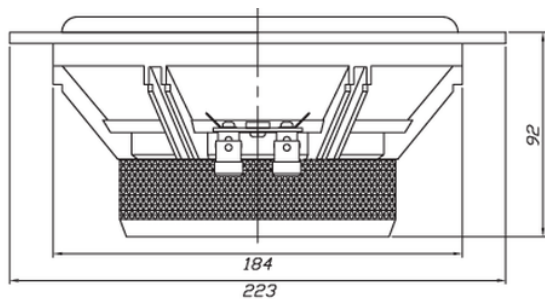




# RS225-4 8" Reference Woofer 4 Ohm

RS225-4



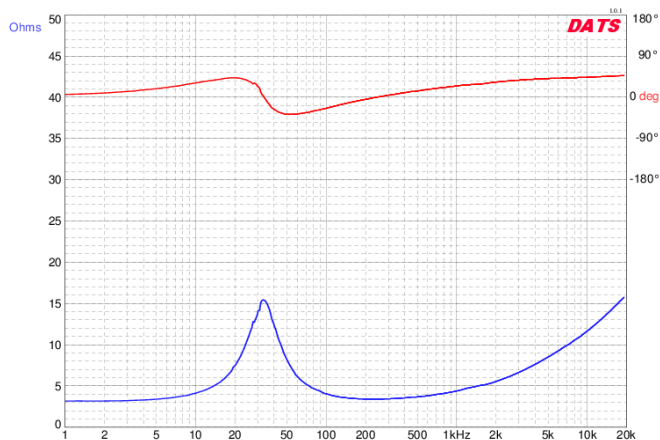
## PARAMETERS

Impedance	4 ohms
Re	3.2 ohms
Le	0.49 mH @ 1 kHz
Fs	33 Hz
Qms	2.02
Qes	0.52
Qts	0.41
Mms	32.2g
Cms	0.72 mm/N
Sd	213.8 cm <sup>2</sup>
Vd	128.2 cm <sup>3</sup>
BL	6.38 Tm
Vas	46.4 liters
Xmax	6.0 mm
VC Diameter	38 mm
SPL	91 dB @ 2.83V/1m
RMS Power Handling	80 watts
Usable Frequency Range (Hz)	35 - 2,300 Hz

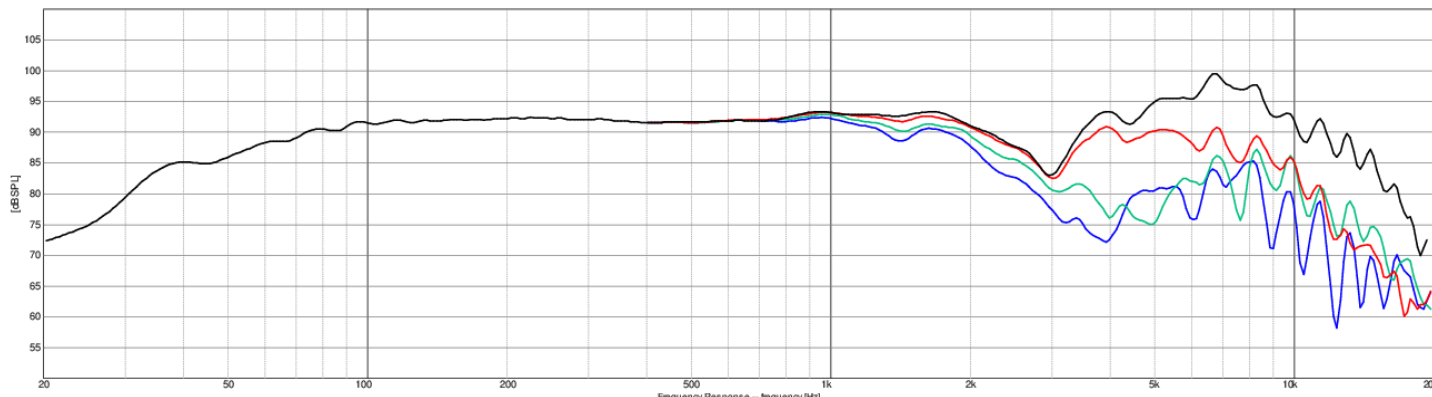
## FEATURES

- 4 ohm impedance is perfect for series pairs in MTMs and center channel speakers
- Excellent car audio midrange/midbass
- High-end low-distortion motor with two shorting paths to reduce inductance

## IMPEDANCE/PHASE



## FREQUENCY RESPONSE



Note: 1/24<sup>th</sup> octave smoothing - nearfield response included in graph below 450 Hz.

Black = 0°  
Red = 15°  
Green = 30°  
Blue = 45°