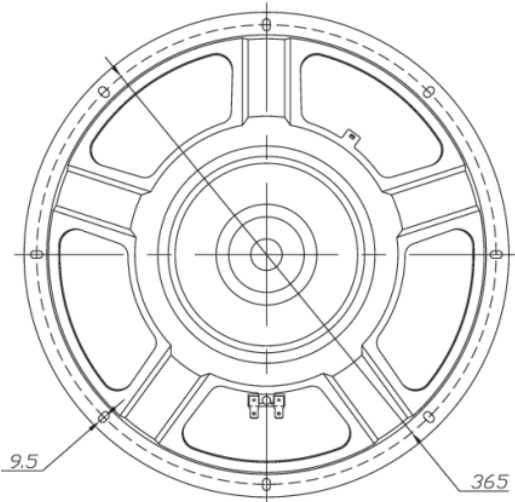
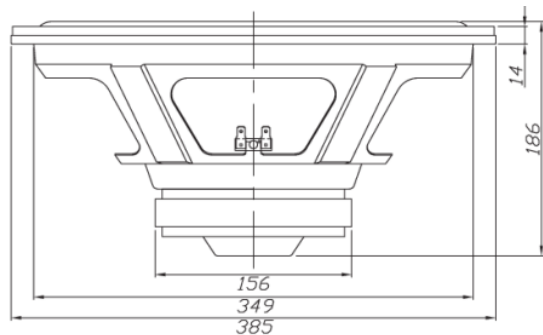




DCS380-4 15" Classic Subwoofer 4 Ohm

DCS380-4



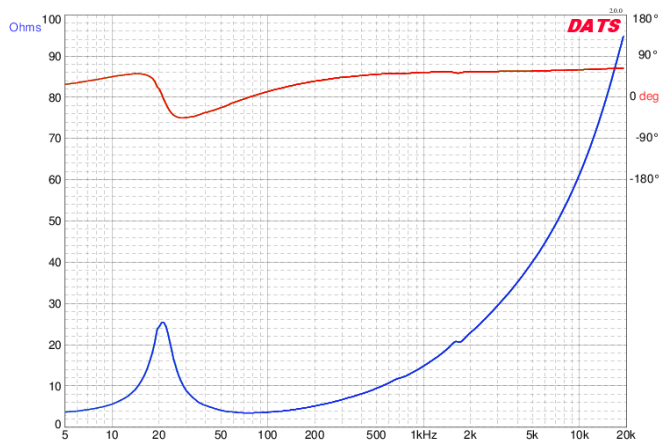
FEATURES

- Heavy-duty treated paper cone for high stiffness-to-weight ratio
- 2" aluminum former, 4-layer voice coil, and large vented pole piece for high power handling
- Large diameter flat spider and healthy Xmax for clean bass

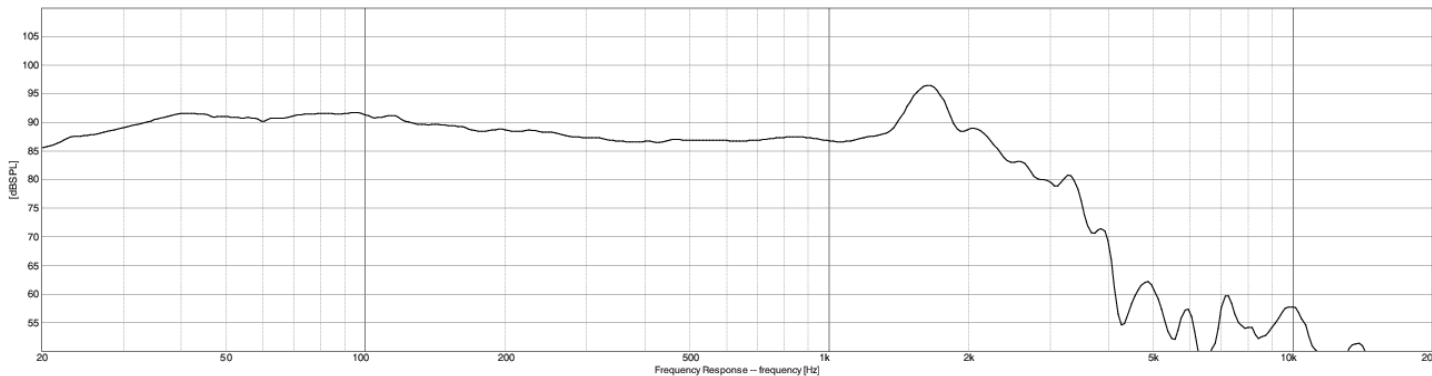
PARAMETERS

Impedance	4 ohms
Re	2.9 ohms
Le	2.31 mH @ 1 kHz
Fs	21.5 Hz
Qms	3.79
Qes	0.49
Qts	0.44
Mms	190g
Cms	0.29 mm/N
Sd	819.4 cm ²
Vd	688.3 cm ³
BL	12.4 Tm
Vas	267 liters
Xmax	8.4 mm
VC Diameter	51 mm
SPL	93.6 dB @ 2.83V/1m
RMS Power Handling	250 watts
Usable Frequency Range (Hz)	20 - 500 Hz

IMPEDANCE/PHASE



FREQUENCY RESPONSE



Note: 1/12th octave smoothing - nearfield response included in graph below 450 Hz.

Black = 0°