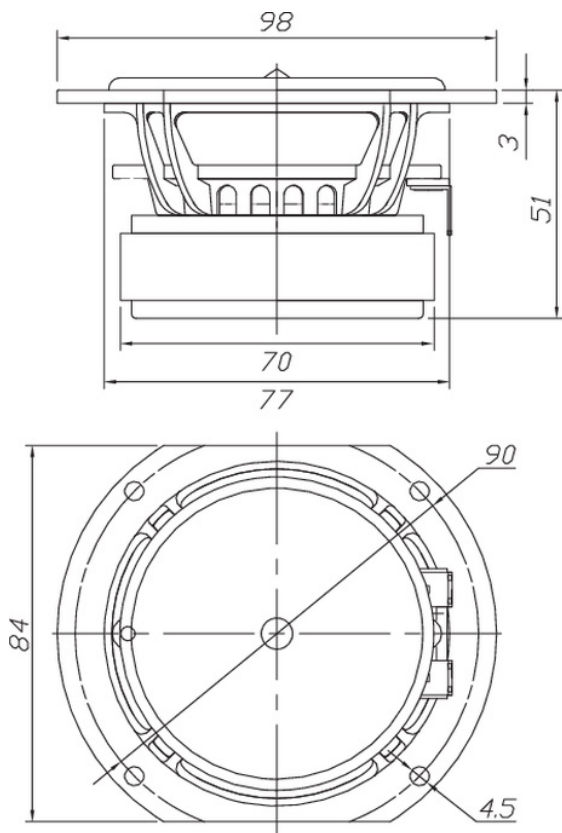




RS100T-8 4" Reference Woofer Truncated Frame 8 Ohm

RS100T-8



PARAMETERS

Impedance	8 ohms
Re	6.5 ohms
Le	0.5 mH @ 1 kHz
Fs	94.9 Hz
Qms	2.40
Qes	0.79
Qts	0.60
Mms	2.2g
Cms	1.3 mm/N
Sd	36.3 cm ²
Vd	13.4 cm ³
BL	3.27 Tm
Vas	2.4 liters
Xmax	3.7 mm
VC Diameter	25 mm
SPL	87 dB @ 2.83V/1m
RMS Power Handling	30 watts
Usable Frequency Range (Hz)	90 - 20,000 Hz

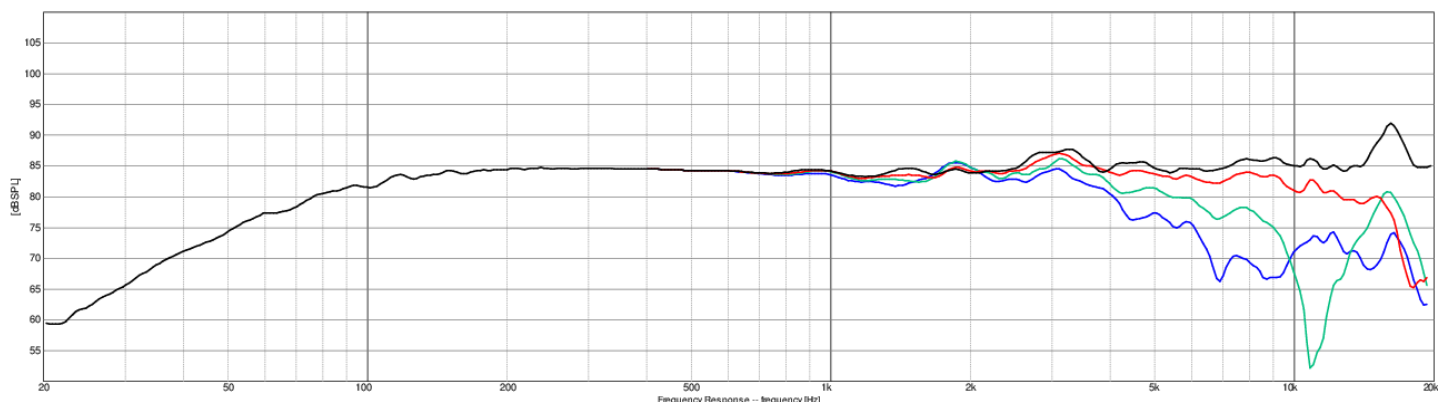
FEATURES

- Truncated cast frame, great for line arrays and MTM speaker designs
- Long-excursion motor and suspension for strong bass performance
- Advanced low-distortion motor design
- Extended, linear response
- Distortion-reducing copper ring in magnetic gap

IMPEDANCE/PHASE



FREQUENCY RESPONSE



Note: 1/24th octave smoothing - nearfield response included in graph below 450 Hz.

Black = 0°
Red = 15°
Green = 30°
Blue = 45°