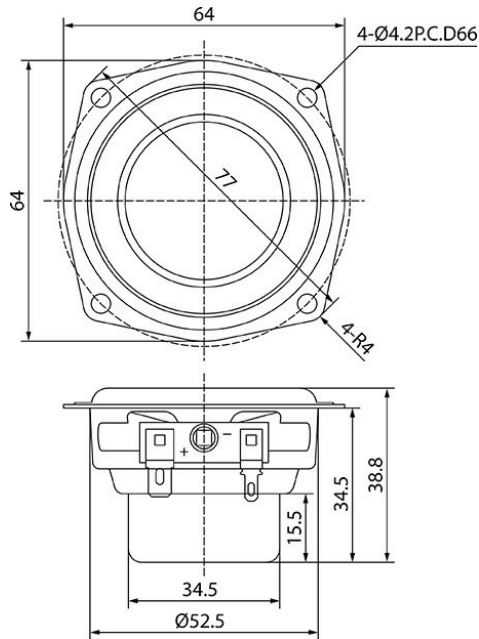




ND64-16 2-1/2" Aluminum Magnesium Cone Full-Range Driver 16 Ohm

ND64-16



PARAMETERS	
Impedance	16 ohms
Re	14.5 ohms
Le	1.21 mH
Fs	100.9 Hz
Qms	4.10
Qes	0.45
Qts	0.41
Mms	2.11g
Cms	1.65 mm/N
Sd	15.6 cm ²
Vd	29.64 cm ³
BL	6.54 Tm
Vas	0.53 liters
Xmax	1.9 mm
VC Diameter	19 mm
SPL	80.2 dB @ 2.83V/1m
RMS Power Handling	15 watts
Usable Frequency Range (Hz)	100 - 20,000 Hz

- ### FEATURES
- Rubber-edged aluminum magnesium alloy cone
 - Dual neodymium motor structure
 - 4-layer voice coil with polyimide former
 - Copper sleeve to minimize distortion
 - High power handling

