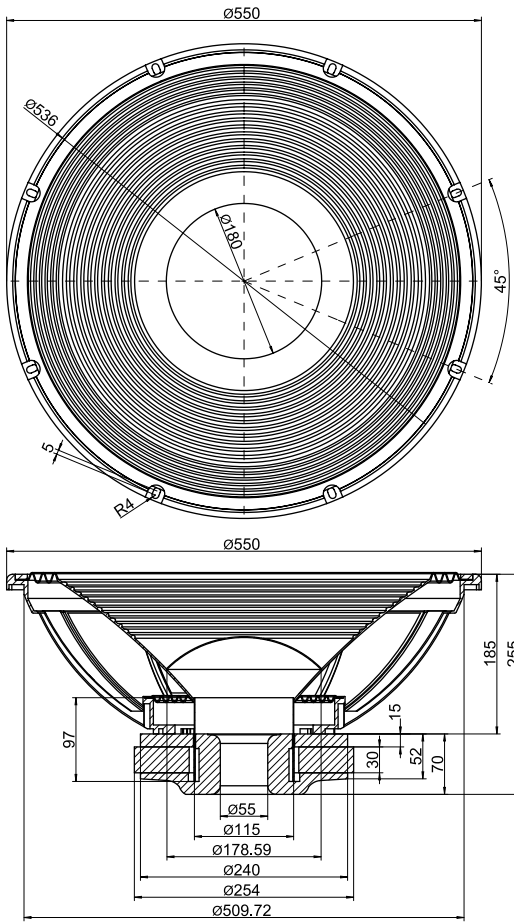




PSS555-8 21" Pro Subwoofer with 4.5" Voice Coil 8 Ohm



PARAMETERS	
Impedance	8 ohms
Re	5.4 ohms
Le	1.8 mH
Fs	27.6 Hz
Qms	10.70
Qes	0.34
Qts	0.33
Mms	316.0 g
Cms	0.11 mm/N
Sd	1735 cm ²
Vd	1909 cm ³
BL	29.7 Tm
Vas	444.0 liters
Xmax	11 mm*
VC Diameter	4.5"
SPL	96.3 dB @ 2.83V/1m
RMS Power Handling (AES 426B)	1,000 watts
Usable Frequency Range (Hz)	27 - 2,500 Hz

* at 70% BI (Klippel verified)

- ### FEATURES
- Exceptional power handling of 1000W RMS
 - Inner and outer wound huge 4.5" voice coil
 - 11mm of X-max for tremendous bass output
 - High energy ferrite 200 oz. magnet
 - Large copper cap for inductance control

