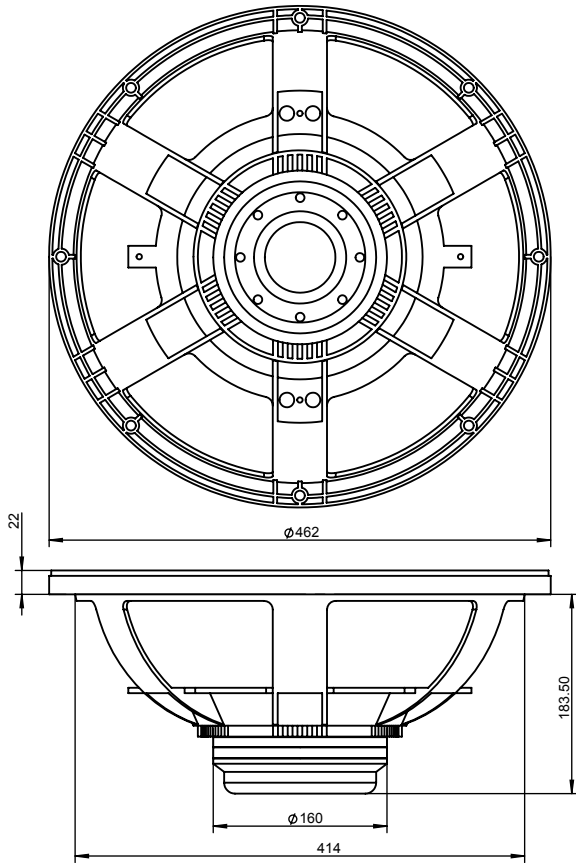




18" Neodymium Pro Audio Midbass Woofer

ODEUM Apollo 18N



PARAMETERS

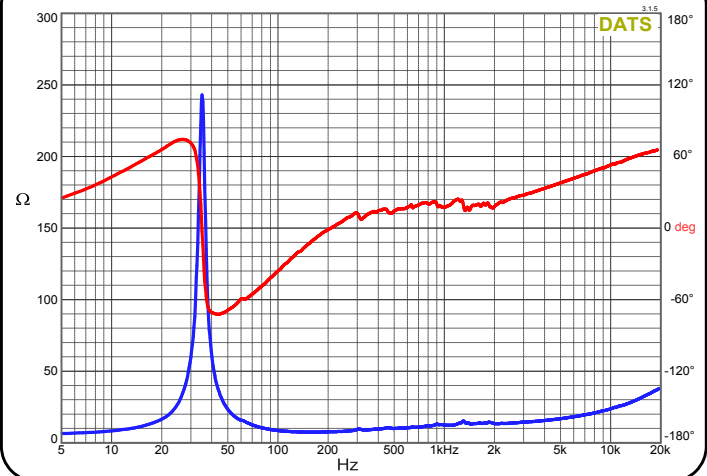
Impedance	8 ohms
Re	5.9 ohms
Le	1.77 mH @ 1kHz
Fs	37 Hz
Qms	16.72
Qes	0.37
Qts	0.36
Mms	212.0 g
Cms	0.086 mm/N
Sd	1200.0 cm ²
Vd	1092 cm ³
BL	28.33 Tm
Vas	174.2 liters
Xmax	9.1 mm***
Magnetic Gap Height	12 mm
VC Diameter	4"
VC Winding Height	25 mm
SPL	97 dB @ 2.83V/1m
RMS Power Handling	1200 watts
Usable Frequency Range	35Hz-1kHz

***Klippel verified

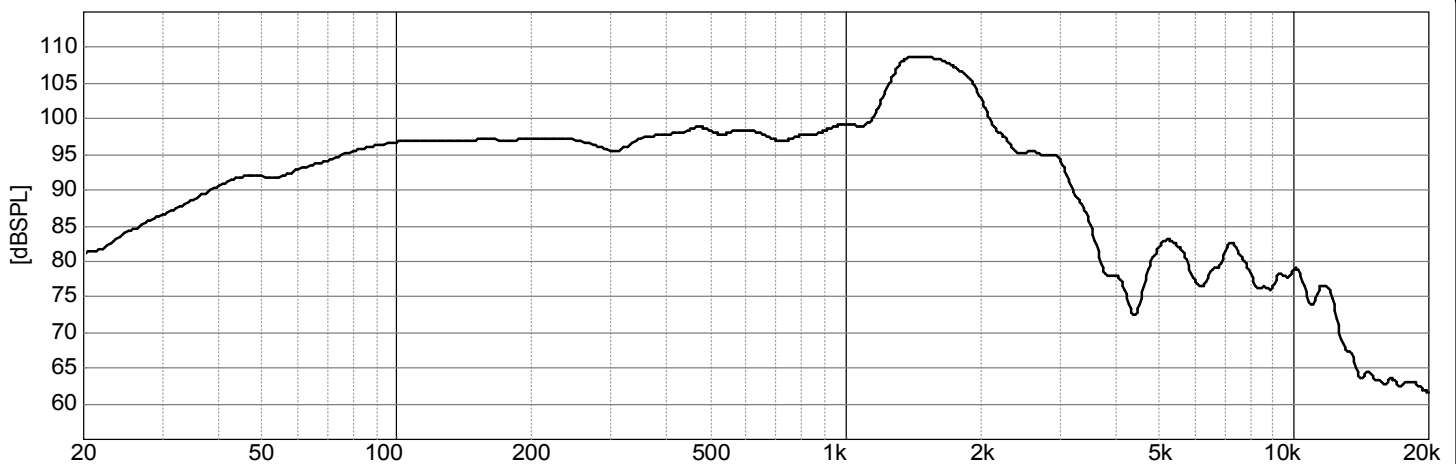
FEATURES

- Best 4" voice coil neodymium subwoofer value on the planet
- Powerful neodymium motor for superior output
- Well balanced SPL to Xmax ratio equates to a loud and long-throw sub
- Copper inductance cap and aluminum demodulation ring for low distortion and low power compression
- Robust 18" ribbed paper cone for strength and durability
- Under spider and rear periphery venting allow for a cooler running voice coil

IMPEDANCE/PHASE



FREQUENCY RESPONSE



OmniMic

Frequency Response -freq [Hz]

Note: 1/12th octave smoothing - nearfield response included in graph below 450 Hz