

TEAX25C10-8/SP SoundPax Audio Exciter

✓RoHS
COMPLIANT



Features

- Impedance: 8 ohm nominal
- Dimensions (max OD): 113mm
- Thickness: 22.8mm
- Mass: 95g
- Self adhesive mounting
- 2.1m leads

Applications

- In-wall concealed sound systems
- In-ceiling installations
- Point of sale advertising
- Vending machines

Description

The TEAX25C10-8/SP SoundpaX exciter is an audio transducer intended to be mounted on a flat surface to radiate sound. It has a protective polypropylene cover and four flexible legs with double sided foam adhesive pads. These pads allow the exciter to be mounted on a flat surface of any angle, in a robust and reliable manner.

Parameters

Parameter	Description	min	typ	max	Units
R_e	DC resistance	-10%	8.1	+10%	Ohms
L_e	Inductance (@ 10kHz)	-10%	0.22	+10%	mH
BL	Force factor	-	6.16	-	Tm
f_s	Resonance frequency	-20%	367	+20%	Hz
dDrv	Voice coil diameter	-	25	-	mm
M_{ms}	Moving mass	-	1.9	-	g
C_{ms}	Compliance	-	0.1	-	mmN ⁻¹
R_{ms}	Suspension Loss	-	0.22	-	Nsm ⁻¹

Operating conditions

Condition	Value
Continuous power handling (weighted pink noise)	10W (tbc)
Burst power handling (weighted pink noise)	>20 W (tbc)
Operating temperature range	-20 to 55° C
Audio frequency range	200Hz to 20kHz

Response

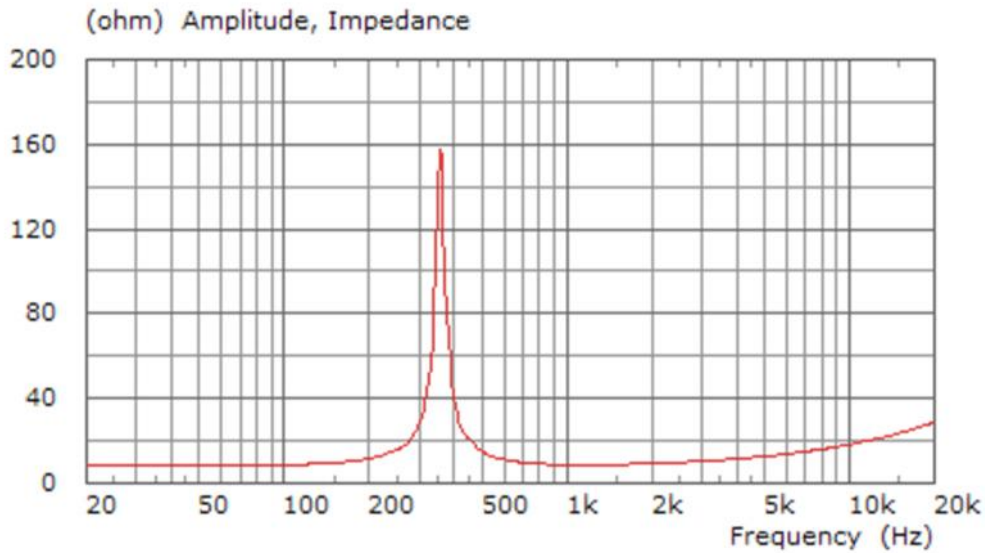


Figure 1. Impedance vs. frequency

Outline Drawing

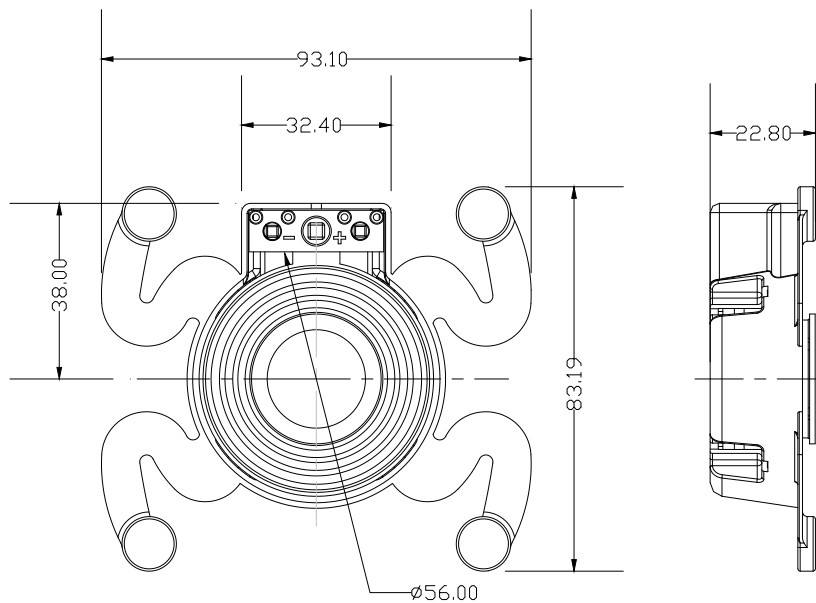


Figure 2. Nominal dimensions (2.1m leads not shown)