

Wiring:

- Use standard wire nuts to join wires
- If possible, always pre-wire prior to permanent mounting
- Verify and match the impedance of any receiver/amplifier shown in the wiring configuration diagrams
- Should you have any questions regarding wiring or installation, contact your place of purchase

Specifications

Model number	TT25-8	TT25-16
Power handling (RMS/Peak)	20/30	20/30
Impedance	8 ohm	16 ohm
Frequency response (Hz)	20-80	20-80
Fs (Hz)	40	40
Force Peak (lbs./ft.)*	30	30
Dimensions Diameter x H (in)	3-1/2" dia x 1" H	3-1/2" dia x 1" H
Cut-out size (in)	70 mm dia. with 25 mm slot	70 mm dia. with 25 mm slot

* When used in four PUCK configuration

5-Year Limited Warranty
See daytonaudio.com for details



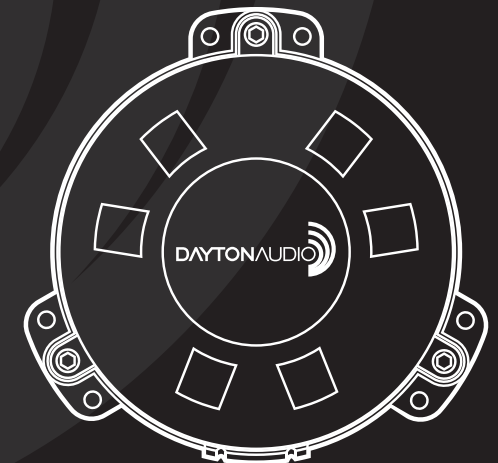
daytonaudio.com
tel + 937.743.8248
info@daytonaudio.com

705 Pleasant Valley Dr.
Springboro, OH 45066
USA



PUCK™ TACTILE TRANSDUCER MINI BASS SHAKER

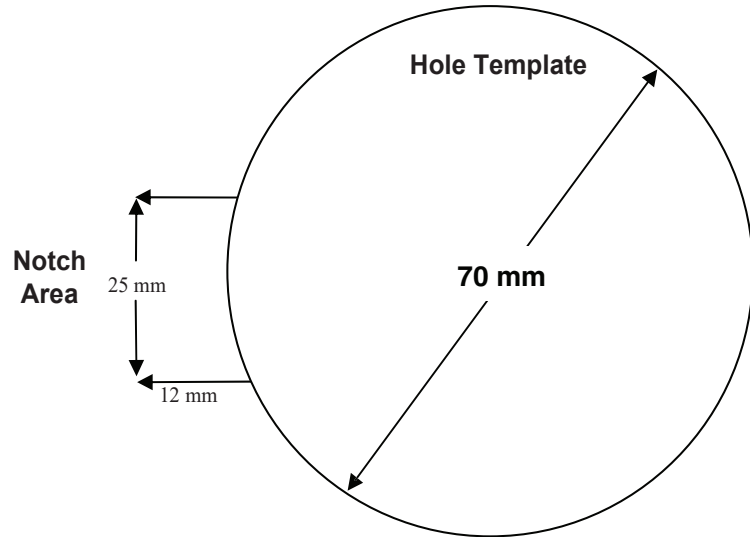
Model: TT25-8 / TT25-16
User Manual



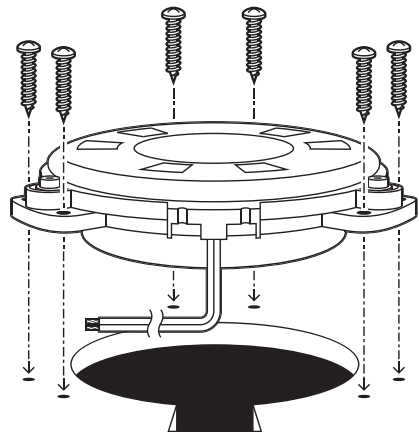
Overview: The Dayton Audio PUCK™ is a small tactile transducer intended to be used in Home Theater, Gaming, and Auto Sound applications. Its unique ability to transfer low frequency sound waves directly to the listener is achieved by mounting the PUCK™ to surface areas that a listener's body will come into contact with. Because the listener "feels" the low frequency, the volume of the overall sound can be kept to a minimum without sacrificing the audio quality.

Mounting: The PUCK™ is designed to nest into a 70 mm hole (with notch area for wiring). Please use the template below for a suggested hole cut.

Surface mounting ring: For applications where cutting a hole is not desired, a surface mounting ring (SMRK-2) is included.

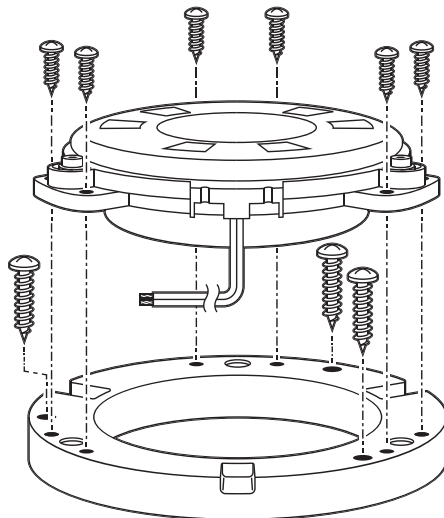


Optional cut-out mounting



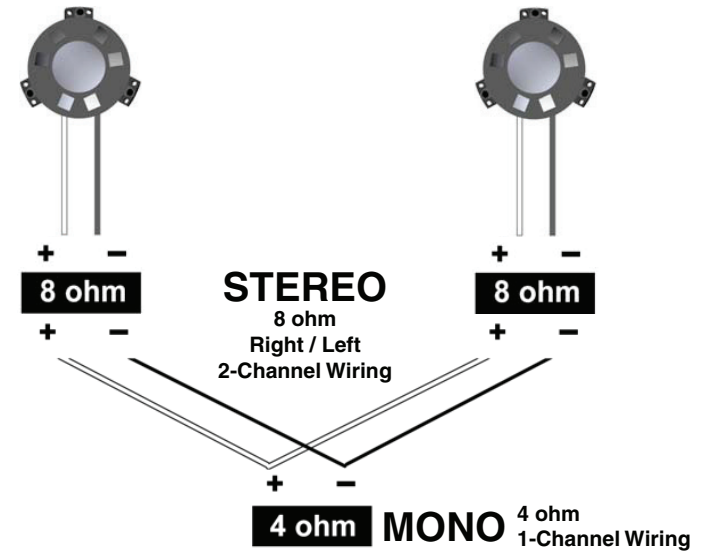
Use six #6 wood or sheet metal Screws to mount on surface

Optional surface mounting ring (SMRK-2)



Using TT25-8 (8 ohm PUCK™)

Typical wiring configuration:



Using TT25-16 (16 ohm PUCK™)

Typical wiring configuration:

