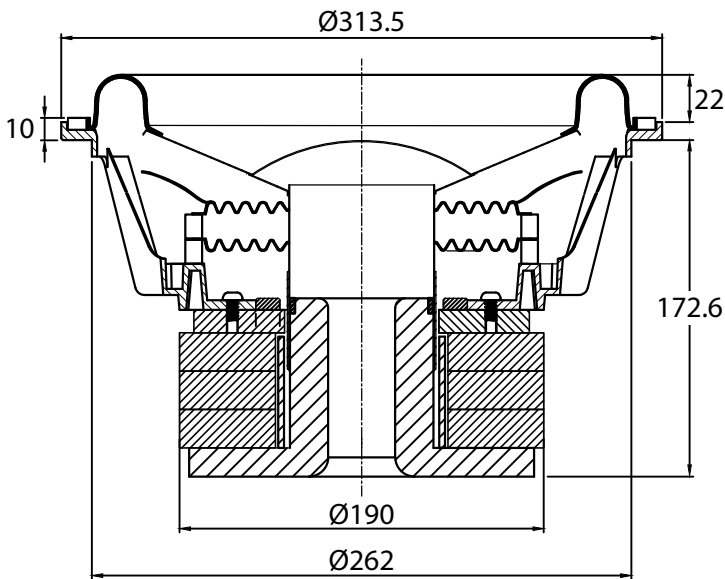




12" Reference Series High Excursion Subwoofer 2+2 ohm

RSS315HE-22



PARAMETERS

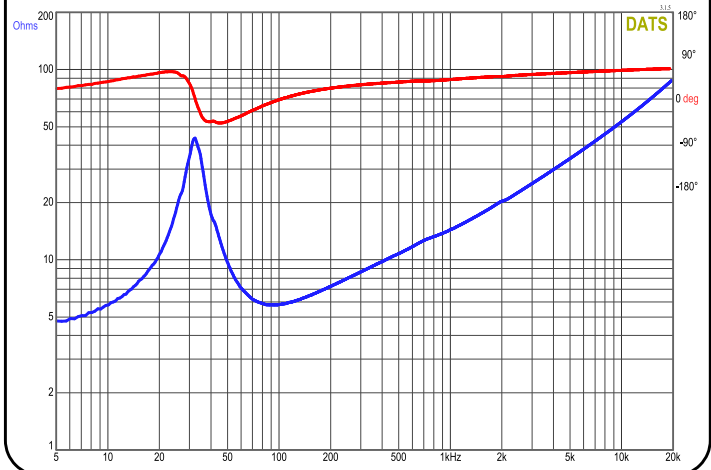
| | |
|------------------------|----------------------|
| Impedance | 2+2 ohms |
| Re | 4.1 ohms |
| Le | 2.2 mH |
| Fs | 32 Hz |
| Qms | 4.80 |
| Qes | 0.51 |
| Qts | 0.46 |
| Mms | 263 g |
| Cms | 0.09 mm/N |
| Sd | 499 cm ² |
| Vd | 1247 cm ³ |
| BL | 20.9 Tm |
| Vas | 32.4 liters |
| Xmax | 25 mm* |
| VC Diameter | 76.5 mm |
| SPL | 88.1 @ 2.83V/1m |
| RMS Power Handling | 800 watts |
| Usable Frequency Range | 25 - 750 Hz |

$$* X_{max} = \left[\frac{\text{Voice Coil Length} - \text{Top Plate Height}}{2} \right] + \frac{1}{3} \text{ Top Plate Height}$$

FEATURES

- Designed for small enclosures
- Copper ring and thick aluminum sleeve provide ultra-low distortion
- Large 3" diameter voice coil wound on a spiral cut aluminum former
- Thick anodized aluminum cone and dustcap improves rigidity and heat dissipation
- Optimized venting for maximum airflow for extremely quiet operation
- Dual spiders and high roll surround for linear high displacement
- Dual 2 ohm voice coils allow various wiring options

IMPEDANCE/PHASE



FREQUENCY RESPONSE

