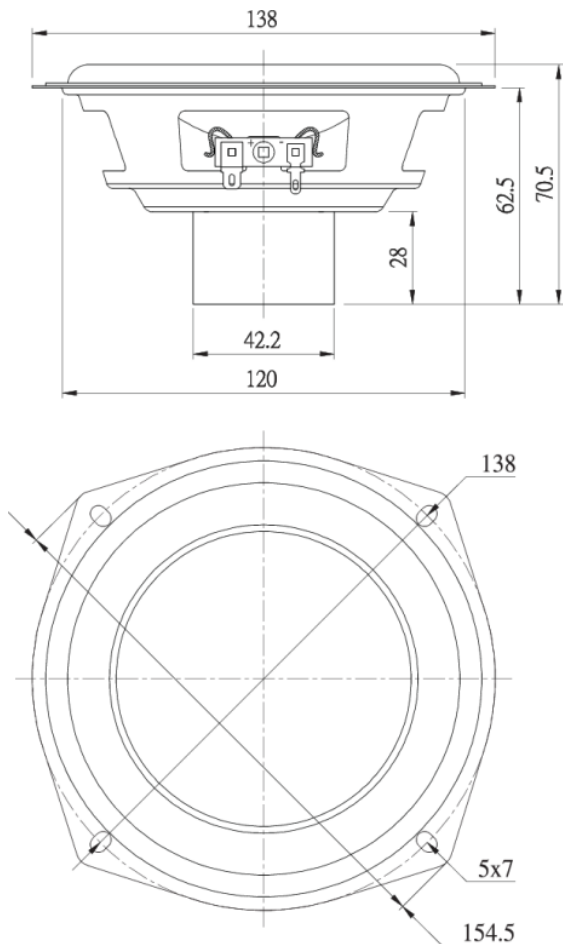




ND140-8 5-1/4" Aluminum Cone Midbass Driver 8 Ohm

ND140-8



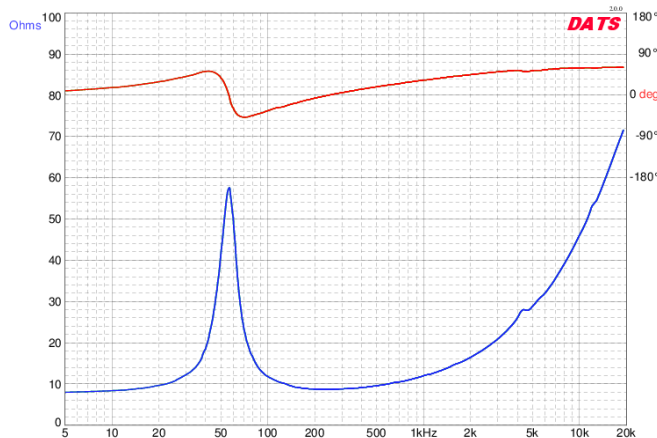
PARAMETERS

Impedance	8 ohms
Re	7.8 ohms
Le	1.44 mH @ 1 kHz
Fs	56.5 Hz
Qms	5.01
Qes	0.79
Qts	0.68
Mms	10.4g
Cms	0.76 mm/N
Sd	86.6 cm ²
Vd	34.6 cm ³
BL	6.05 Tm
Vas	7.74 liters
Xmax	4.0 mm
VC Diameter	25 mm
SPL	84.5 dB @ 2.83V/1m
RMS Power Handling	40 watts
Usable Frequency Range (Hz)	54 - 8,000 Hz

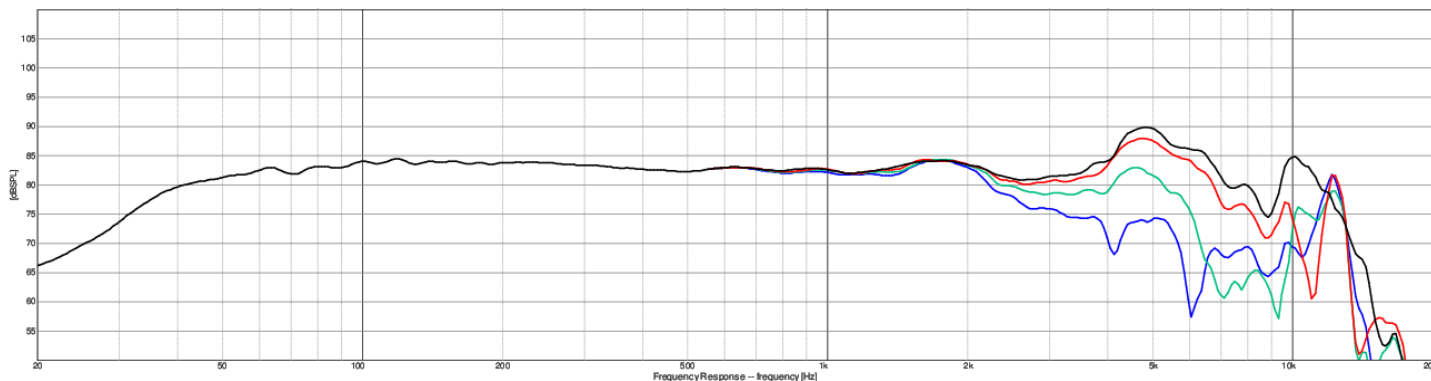
FEATURES

- Extended-range 54 Hz to 8 kHz performance
- Rubber-edged aluminum alloy cone
- Large excursion capability 4 mm Xmax, 20 mm peak
- Self-shielded Neo-Balanced motor structure
- 1" 4-layer underhung voice coil with polyimide former

IMPEDANCE/PHASE



FREQUENCY RESPONSE



Note: 1/24th octave smoothing - nearfield response included in graph below 450 Hz.

Black = 0°
Red = 15°
Green = 30°
Blue = 45°