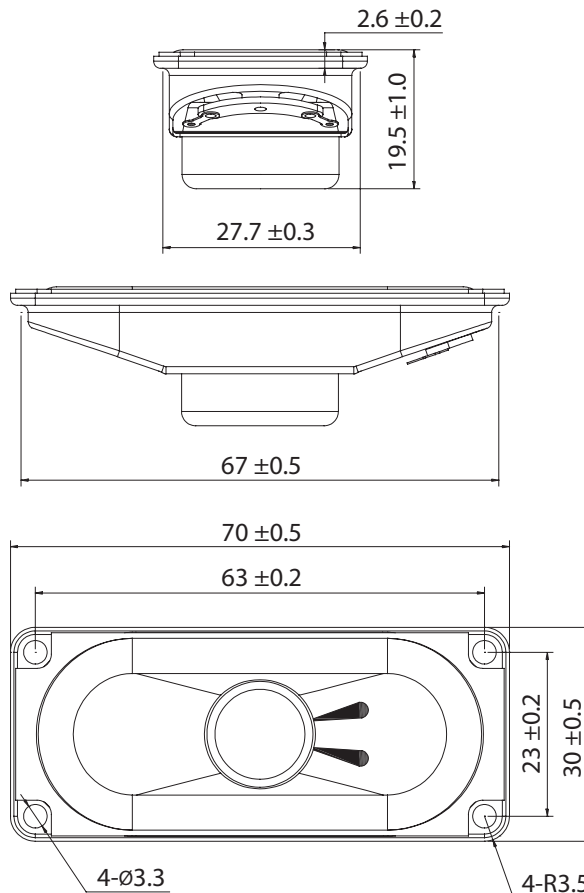


**Features**

- Lightweight paper cone
- Powerful neodymium magnet design
- Coated fabric surround
- Stamped steel frame
- Compact size
- Versatile mounting

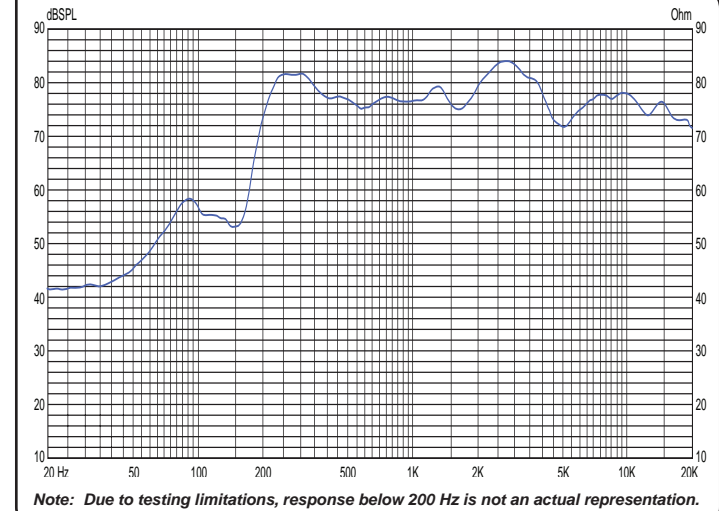
**Parameters**

Impedance ( $\Omega$ )	8
Re ( $\Omega$ )	7.2
Le (mH) @ 1 kHz	0.21
Fs (Hz)	370.8
Qms	5.65
Qes	5.67
Qts	2.83
Mms (g)	0.82
Cms (mm/N)	0.225
Sd (cm <sup>2</sup> )	11.04
Vd (cm <sup>3</sup> )	0.009
BL (Tm)	1.56
VAS (liters)	0.039
XMAX (mm)	0.8
VC Diameter (mm)	13
SPL (dB@1W/1m)	82
RMS Power Handling (w)	2.0
Usable Frequency Range (Hz)	310 - 20,000



Note: All dimensions in mm.

**Frequency Response**



**Impedance/Phase**

