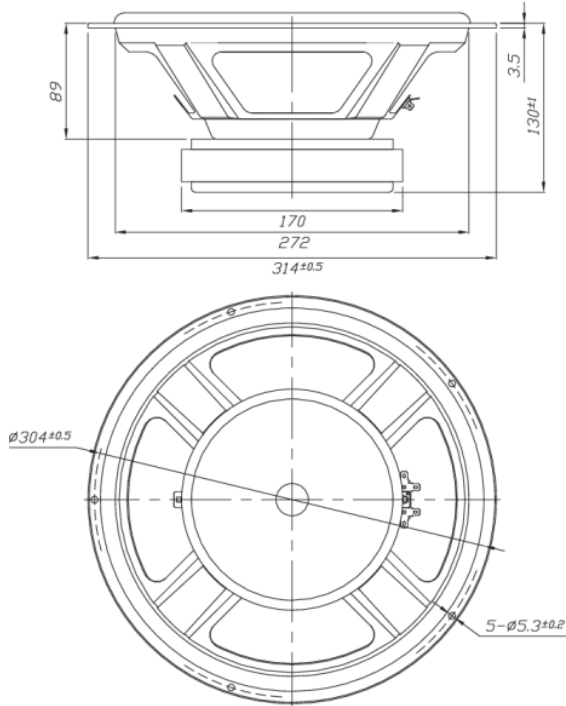




# DS315-8 12" Designer Series Woofer Speaker 8 Ohm

DS315-8



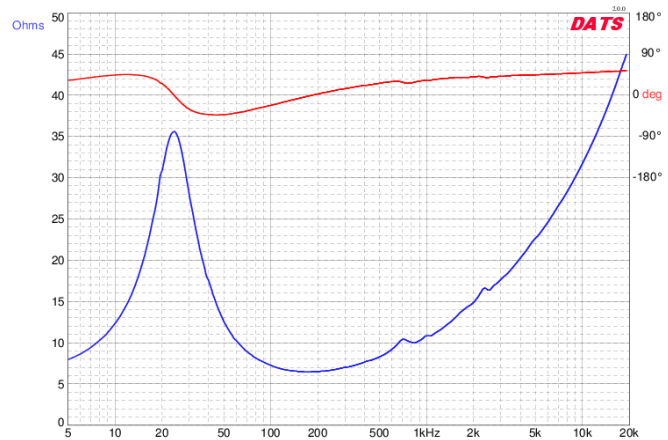
## PARAMETERS

Impedance	8 ohms
Re	6.1 ohms
Le	1.43 mH @ 1 kHz
Fs	24.2 Hz
Qms	1.79
Qes	0.37
Qts	0.31
Mms	97.4g
Cms	0.44 mm/N
Sd	506.7 cm <sup>2</sup>
Vd	276.7 cm <sup>3</sup>
BL	15.6 Tm
Vas	159 liters
Xmax	5.5 mm
VC Diameter	49.5 mm
SPL	91 dB @ 2.83V/1m
RMS Power Handling	120 watts
Usable Frequency Range (Hz)	25 - 2,500 Hz

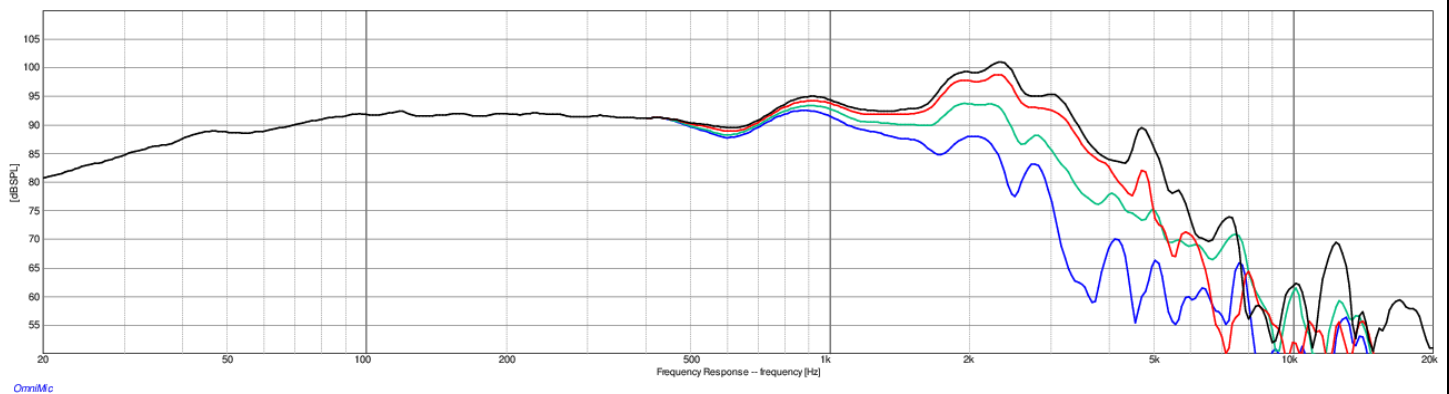
## FEATURES

- Cosmetic frame with low profile lip, designed for front mounting—no countersinking required!
- Coated paper cone, half roll rubber surround for durability and accurate reproduction
- Optimized to yield a low 3 dB down point and high potential output in a reasonably sized cabinet
- Smooth frequency response and linear roll-off simplify filter design, guaranteeing good results with off-the-shelf crossovers
- Vented pole piece for minimized power compression and maximized reliability

## IMPEDANCE/PHASE



## FREQUENCY RESPONSE



**Note:** 1/24<sup>th</sup> octave smoothing - nearfield response included in graph below 450 Hz.

Black = 0°  
Red = 15°  
Green = 30°  
Blue = 45°